

Honeywell

THE POWER OF **CONNECTED**

FA-300 Alarm Bar User's Guide



Rev. A
September 2018
P/N F05-4032-000

FA-300 Alarm Bar User's Guide

Contents

1	Standard Contents	4
2	General Information	4
2.1	Key Features	4
3	Physical Description	5
4	Installation	6
4.1	Mounting the FA-300 Alarm Bar	6
4.2	Drilling Chart	7
4.3	Electrical/Control Connections	8
4.4	Connecting to An FMC2000 Controller	9
5	Maintenance	10
6	Specifications	11
7	Troubleshooting	13
7.1	Checking FMC2000 Relay Continuity	14

Read Before Operating

This manual must be carefully read by all individuals who have or will have the responsibility of using, maintaining, or servicing this product. The product will perform as designed only if it is used, maintained, and serviced in accordance with the manufacturer's instructions. The user should understand how to set the correct parameters and interpret the obtained results.

CAUTION!

To reduce the risk of electric shock, turn the power off before opening this instrument or performing service. Never operate the instrument when the instrument is open. Use and service this product only in an area known to be non-hazardous.

Proper Product Disposal At End Of Life



EU Directive 2012/19/EU: Waste Electrical and Electronic Equipment (WEEE)

This symbol indicates that the product must not be disposed of as general industrial or domestic waste. This product should be disposed of through suitable WEEE disposal facilities. For more information about disposal of this product, contact your local authority, distributor, or the manufacturer.

FA-300 Alarm Bar User's Guide

WARNINGS

Use only in non-hazardous locations.

For safety reasons, this equipment must be operated and serviced by qualified personnel only. Read and understand instruction manual completely before operating or servicing.

AVERTISSEMENT

Utiliser uniquement en zone non-dangereuse.

Pour des raisons de sécurité, cet équipement doit être utilisé, entretenu et réparé uniquement par un personnel qualifié. Étudier le manuel d'instructions en entier avant d'utiliser, d'entretenir ou de réparer l'équipement.

FA-300 Alarm Bar User's Guide

1 Standard Contents

- FA-300 Alarm Bar
- Integral 10-meter (33-foot) connection cable
- User's Guide

2 General Information

The FA-300 Alarm Bar works with RAE Systems FMC2000 controller and other compatible devices. It provides bright visible and loud audible notification when a controller is in alarm.

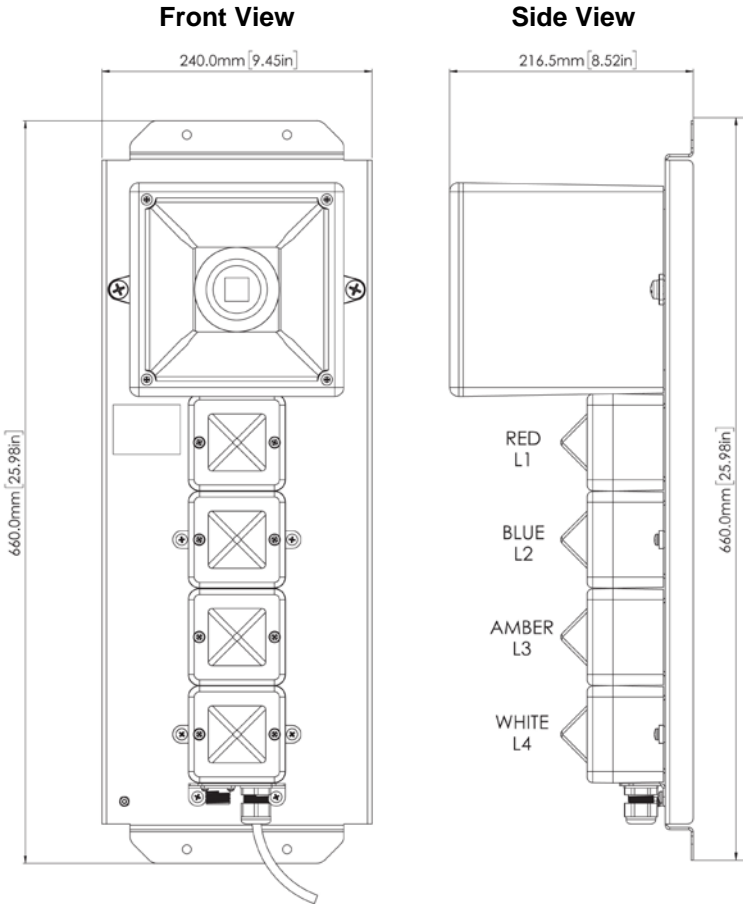
2.1 Key Features

- Loud siren: 117dB @ 3 m (10')
- Four bright strobe lights with impact-resistant polycarbonate lenses (red, white, blue, amber)
- Second port for interconnection with second controller
- Low maintenance

FA-300 Alarm Bar User's Guide

3 Physical Description

The FA-300 Alarm Bar comes pre-assembled and requires only connection via its integrated cord to a controller with relays. It has mounting flanges at the top and bottom with four holes that accept screws for attaching the FA-300 Alarm Bar to a wall or other flat surface. It receives all power from the controller that it is attached to, simplifying installation and maintenance.



4 Installation

4.1 Mounting the FA-300 Alarm Bar

The FA-300 Alarm Bar is designed to be wall-mounted and has four holes for anchoring the FA-300 Alarm Bar, using screws or bolts.

Before mounting the FA-300 Alarm Bar, make sure that its cord can reach the controller that it will be electrically connected to.

Make sure that there is approximately 12" (30 cm) of clearance on all sides of the FA-300 Alarm Bar so that the siren's sound is not attenuated and to ensure clear view of the four visible alarm lights.

Follow these steps:

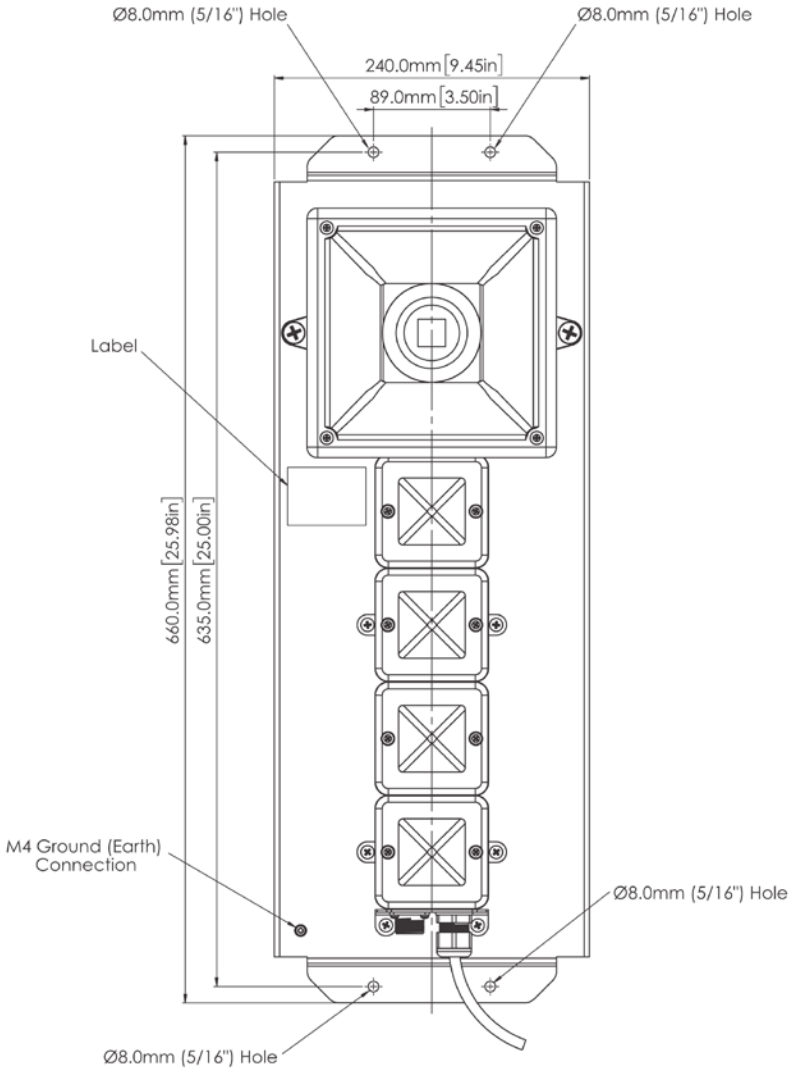
1. Locate the FA-300 Alarm Bar on a wall or other flat surface and mark the four holes' locations.
2. Remove the FA-300 Alarm Bar.
3. Drill the four holes.
4. Hold the FA-300 Alarm Bar firmly against the wall and insert and tighten the screws.

The FA-300 Alarm Bar is now ready to be connected to the controller.

FA-300 Alarm Bar User's Guide

4.2 Drilling Chart

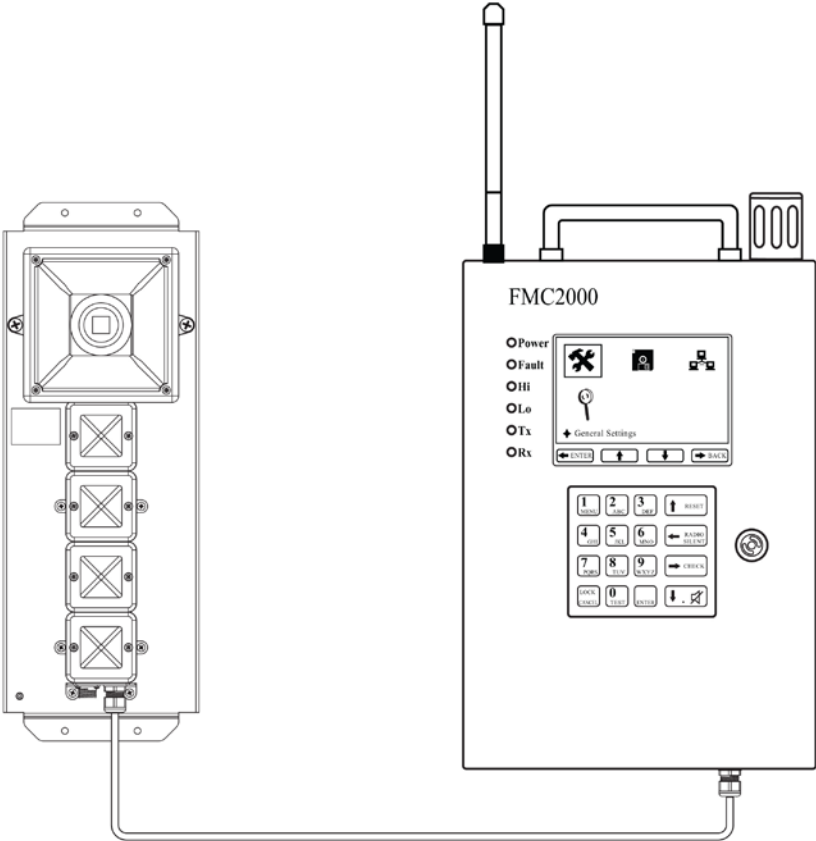
When mounting the FA-300 on a wall, make sure to use heavy-duty steel screws spaced as indicated below.



FA-300 Alarm Bar User's Guide

4.3 Electrical/Control Connections

The FA-300 Alarm Bar has a 33' (10 m) cable with a screw-type multi-pin connector. It is designed to mate with the connector on a RAE Systems FMC2000 controller and some similar controllers that use the same connector type and relay configuration.



FA-300 Alarm Bar User's Guide

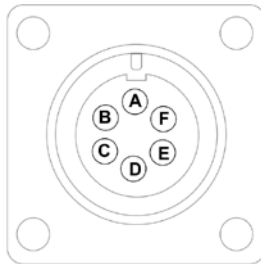
4.4 Connecting to An FMC2000 Controller

The FMC2000 has a female 6-pin connector on the bottom that is designed for connection with a RAE Systems FA-300 Alarm Bar.

Note: The internal wires from the FMC2000 connector are pre-wired to the NO (Normally Open) connection points on the five relay wiring blocks. Refer to the FMC2000 User's Guide for details of wiring for other configurations, including NC (normally closed) and other alarm orders.

Note: Pin F connects to Ground. Pins B, C, D, and E transmit 12V @ 2A power when an alarm occurs.

Connector Pin Layout



FMC2000 Connector Pinout

Pin A: No connection

Pin B: Power switch for red light

Pin C: Power switch for blue light

Pin D: Power switch for amber light

Pin E: Power switch for white light

Pin F: Ground

Note: If a second controller is not connected to the auxiliary port on the FA-300 Alarm Bar, keep the dust cap on the connector to protect the pins.

5 Maintenance

No periodic maintenance is required for the FA-300 Alarm Bar. Check occasionally that the cable is securely fastened and shows no sign of damage. Also check that the polycarbonate lenses are tightly fastened to the bases of the strobe lights and have no cracks. If they are damaged, they should be replaced.

6 Specifications

Size	9.45" x 26.98" x 8.52" (66 cm x 24 cm x 31.65 cm), including siren horn
Weight	16.35 lbs (7.42 kg), including cable
Enclosure material	Stainless steel light bases with polycarbonate lens covers; ABS siren horn
Audible alarm	117dB @ 3 m (10')
Visual alarms	Four super-bright xenon strobe lights with polycarbonate lens covers (red, white, blue, amber)
Flash rate	1 flash per second
Primary Input	Permanently affixed cable with 6-pin male connector
Secondary Input	6-pin male connector
Cable Length	33' (10 m)
Power Supply	Powered by 12-volt 2A outputs from controller
Operating Temperature	-13° F to +131° F (-25° C to +55° C)

FA-300 Alarm Bar User's Guide

Special Servicing Note

If the instrument needs to be serviced, contact either:
The Honeywell distributor from whom the instrument was purchased; they will return the instrument on your behalf.

or

The Honeywell RAE Systems Technical Service Department. Before returning the instrument for service or repair, obtain a Returned Material Authorization (RMA) number for proper tracking of your equipment. This number needs to be on all documentation and posted on the outside of the box in which the instrument is returned for service or upgrade. Packages without RMA Numbers will be refused at the factory.

7 Troubleshooting

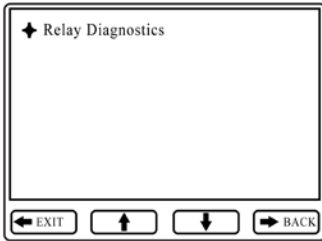
Problem	Possible Reasons & Solutions
Siren inoperative	<p>Reasons: Wiring problem. Alarm level set too low at controller.</p> <p>Solutions: Make sure cable is connected to controller. Make sure cable is not damaged. Check siren horn for obstruction. Test relay in controller.</p>
Strobe light inoperative	<p>Reasons: Wiring problem. Alarm level set too low at controller. Strobe light is damaged.</p> <p>Solutions: Make sure cable is connected to controller. Make sure cable is not damaged. Check siren horn for obstruction. Test relay in controller. Call Technical Support at +1 408-752-0723 or toll-free at +1 888-723-4800</p>
Wrong strobe light during alarm	<p>Reasons: Relay wiring problem.</p> <p>Reasons: Check that correct relay is wired to appropriate strobe light.</p>

FA-300 Alarm Bar User's Guide

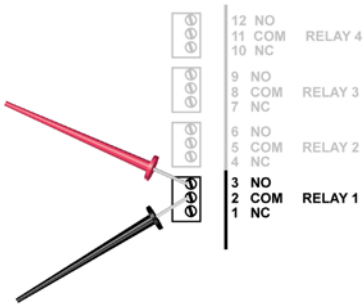
7.1 Checking FMC2000 Relay Continuity

Each relay in an FMC2000 controller has a common terminal and a normally open (NO) and normally closed (NC) terminal. If you think the wiring to the FA-300 Alarm Bar is correct and that the FA-300 Alarm Bar is in working order, but that an alarm signal is not being passed to it, check the relays in the FMC2000 controller. Use a continuity tester or voltmeter (set to measure resistance) to check the relay's activity.

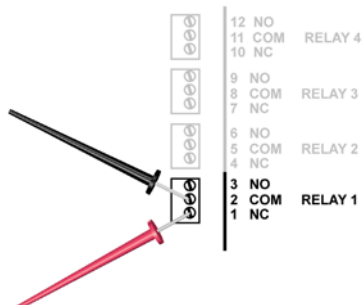
1. Enter the Relay Diagnostic menu. Press Enter, followed by the password (the default is 123456).



2. Touch the probes of a continuity tester or voltmeter to the NO and COM terminals on the relay's relay block inside the FMC2000.



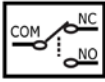
Testing continuity of Normally Open portion of relay.



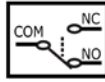
Testing continuity of Normally Closed portion of relay.

FA-300 Alarm Bar User's Guide

3. In the Relay Diagnostic menu, toggle the relay by pressing the keypad's corresponding key (1, 2, 3, 4, 5).



Relay 1



Relay 1



Relay 1

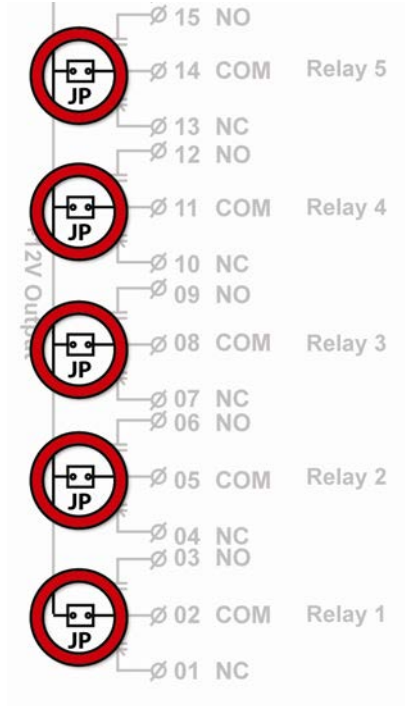
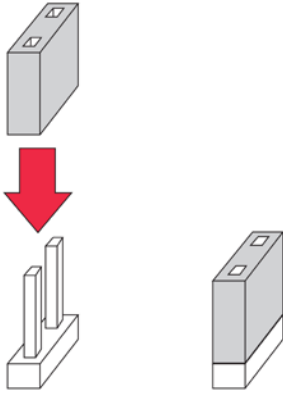


4. Touch the probes to the NC and COM terminals on the relay block.
5. Again, toggle the relay by pressing the corresponding key on the keypad.

Each time you press the key, the continuity tester or voltmeter should show that the relay has changed from open to closed (or vice versa). If this change does not occur, then the relay may be damaged and require replacement. Contact Honeywell RAE Systems Customer Support.

FA-300 Alarm Bar User's Guide

Note: Make sure the jumpers (marked JP for each of the five relays) are in place on the printed circuit board that includes the five alarm relay connection blocks in the FMC2000. If any of the jumpers is missing, the relay is in “dry contact” configuration, and no voltage reaches the relay connection blocks.





THE POWER OF **CONNECTED**

For more information

www.honeywellanalytics.com

www.raesystems.com

Europe, Middle East, Africa

Life Safety Distribution GmbH

Tel: 00800 333 222 44 (Freephone number)

Tel: +41 44 943 4380 (Alternative number)

Fax: 00800 333 222 55

Middle East Tel: +971 4 450 5800

(Fixed Gas Detection)

Middle East Tel: +971 4 450 5852

(Portable Gas Detection)

gasdetection@honeywell.com

Americas

Honeywell Analytics Distribution
Inc.

Tel: +1 847 955 8200

Toll free: +1 800 538 0363

Fax: +1 847 955 8210

detectgas@honeywell.com

RAE Systems by Honeywell

Phone: 408.952.8200

Toll Free: 1.888.723.4800

Fax: 408.952.8480

Asia Pacific

Honeywell Analytics Asia Pacific

Tel: +82 (0) 2 6909 0300

Fax: +82 (0) 2 2025 0328

India Tel: +91 124 4752700

analytics.ap@honeywell.com

Technical Services

EMEA: HAexpert@honeywell.com

US: ha.us.service@honeywell.com

AP: ha.ap.service@honeywell.com



DETECTION | **S**AFETY | **P**ROTECTION

For Pricing or Further
Information Please Contact Us.



+441158390495



www.manonglobal.com



sales@manonglobal.com

**Leading UK Suppliers In
Gas Detection, Safety & Protection
Products
Brand New & Genuine OEM Parts
UK & Worldwide Deliveries Available**



Worldwide Delivery



1000+ Genuine Parts & Equipment